

Universal

Personalized Upright Imaging Solutions

*Digital, CR and Film-based systems
to meet your specific needs and budget.*



Universal
*Keeping Promises
for Over Eighty Years.*

DC Choice™

Complete Digital Imaging Suite

- **A simple, yet sophisticated, cost effective** direct digital x-ray system that eliminates the need for cassettes, film, chemistry, automatic film processor, darkroom, film storage, and monthly maintenance.
- **Delivers high-quality digital images** utilizing a powerful 500 mA high frequency generator. The APR techniques increase diagnostic and operator efficiency and throughput.
- **A fraction of the time** required for x-ray exams to be completed when compared to conventional film systems with the added convenience of being able to manipulate, store and forward the image electronically for consultation.



Simulated digital suite shown with optional pedestal mount for control console.

Digital upgrades are also available!

Enhance your existing system with a digital wall stand or ask about our CR solutions.

Standard Features

Tubestand:

- Mounts floor-to-wall or floor-to-ceiling
- Tube rotation enables precision alignment of the tube for non-angled, angled and upright views
- Convenient display gives indication of tube rotation
- 6' (183 cm) tracks allows for 40" (100 cm) and 72" (180 cm) digital imaging
- Stainless steel bearings assures smooth vertical and horizontal tubestand movement
- Electro magnetic locks provide positive positioning of vertical and horizontal tubestand positions

Digital Detector Wall Stand:

- Full-bodied floor to wall mounted column
- Digital detector has extensive column travel
- Stainless steel bearings will provide years of smooth digital detector travel
- Electro magnetic lock maintains digital detector height

Tube / Collimator

- 200,000 heat unit 0.6 x 1.5 mm focal spot tube for high resolution
- Manual collimator with laser light and swivel mount

Digital Radiography Acquisition Package Consisting of:

- 3k x 3k, 9 megapixel array
- 16" x 16" image field
- 3.1 lp/mm resolution
- Image displayed in less than 10 seconds
- 400 speed screen/film equivalent
- 20" monitor, 1600 x 1200 resolution
- DICOM Send, Store, Modality Worklist and Print
- Patient information database
- R & L & A & P markers
- Window level, zoom & pan



Universal

Keeping Promises for Over Eighty Years.

Acquisition Station

The acquisition station with 20" monitor is located in the x-ray suite behind a lead barrier. The acquisition station allows you to instantly view the acquired image for feedback and verification. Once the image is accepted and the exam complete, the image is sent to a workstation or PACS. Typically, the workstation is where diagnostics are performed for consultation, image manipulation, electronic forwarding, etc.



Workstation

A separate workstation with DICOM (standard for digital imaging) viewing and manipulation software would be located in an area away from the x-ray suite. The viewing software provides the ability to manipulate the image for optimal image quality. Manipulation includes such capabilities as zooming, contrast adjustment, measuring, annotations, etc. In addition to enhancing image quality, the viewing software gives you the capability to burn images onto a CD/DVD and forward electronic files via the internet for consultation.



Picture Archiving and Communication Systems (PACS)

(PACS) are computers or networks dedicated to the storage, retrieval, distribution and presentation of images. PACS offers many conveniences for the high volume facilities where digital imaging studies would reach the maximum capacity of a hard drive in three or four months. We have found that the workstation will be sufficient in many applications. A no obligation, free consultation with one of our dedicated digital consultants and local independent representatives can give you specific recommendations for image storage.

Call toll free: **800-800-6006**
or e-mail: **usa_sales@delmedical.com**
for more information!

Upright Raymaster Film-based Imaging System

The Universal Raymaster system is thoroughly at home in private, group, or clinical applications. It provides full radiographic capabilities, from skull to weight bearing studies.



Standard Features:

Tubestand:

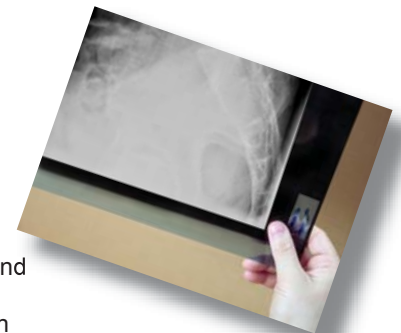
- Mounts floor-to-wall or floor-to-ceiling
- Tube rotation for non-angled, angled and upright views
- Display gives indication of tube rotation
- 6' (183 cm) tracks allows for 40" (100 cm) and 72" (180 cm) film distances
- Stainless steel bearings for smooth movement
- Electro magnetic locks for positive positioning of vertical and horizontal tubestand positions

Vertical Wall Stand:

- Counterbalanced for effortless movement
- 17" x 17" (43 cm x 43 cm) grid cabinet
- Front panel with patient centering line
- 103 Line, 8:1 fine line grid for superior film quality
- Cassette tray accepts 14" x 17" (35 cm x 43 cm) and smaller cassette sizes
- Electro magnetic lock maintains cabinet height
- Extensive vertical travel of 75.25" (191 cm) allows for views from skull to weight bearing

Options:

- 8' (244 cm) or 12' (366 cm) tubestand tracks
- 17" x 17" (43 cm x 43 cm) bucky for wall stand
- 10:1 or 12:1 ratio grid for wall stand
- Ion chamber to accept AEC capability of generator
- 14" x 36" (35 cm x 91 cm) grid cabinet or reciprocating bucky for wall stand (Model 3547)



Universal provides generator selections to meet the needs and budget of the practice.

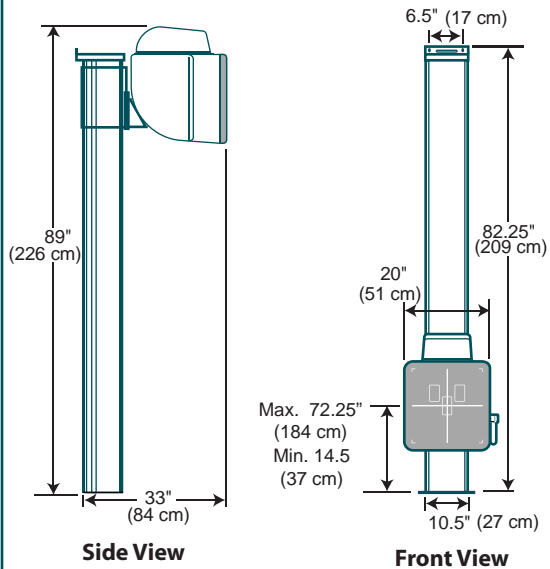


For over 80 years Universal has been providing generators that are user-friendly, powerful, compact, reliable and flexible. Regardless of your generator choice or installation site requirements, our wide selection will give you peace of mind in producing quality images.

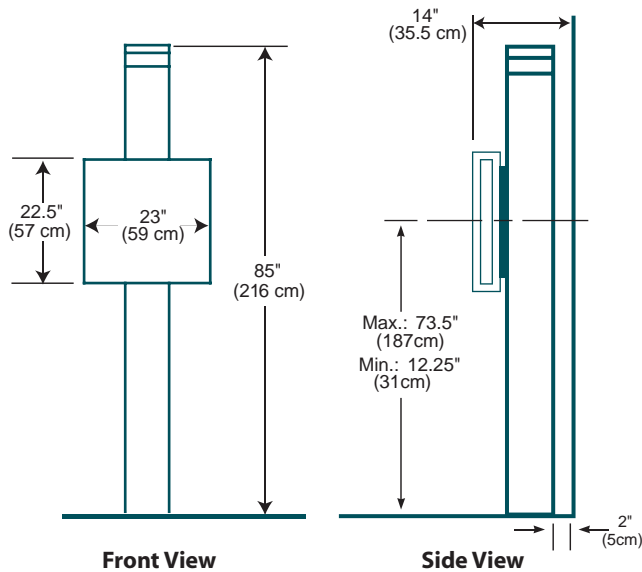
Universal generators range from our budget friendly single phase model to a variety of high frequency generators that combine electronic technology with advanced microprocessor control design. Our dedicated representative can assist you with making the right choice for your practice.



DCChoice Digital Detector

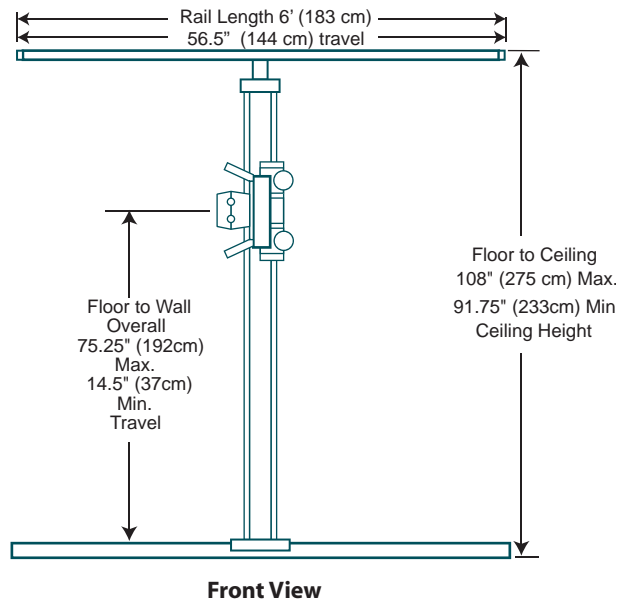


Upright Raymaster Wallholder



FW/FC Tubestand

(Common on DC Choice & Upright Raymaster)



U.S.A.
 Del Medical Systems Group
 11550 West King Street
 Franklin Park, IL 60131
 Toll Free 800-800-6006
 Tel. +1-847-288-7000
 Fax +1-847-288-7011
 www.delmedical.com



Complies with all CDRH performance standards in effect at the date of manufacture. As we strive for constant improvement, specifications are subject to change without notice.
 UL Classified / ETL Listed
 An ISO13485 & ISO9001 Certified Facility



EUROPE
 Villa Sistemi Medicali
 Via delle Azalee 3
 20090 Buccinasco-MI-Italy
 Tel. +39-02-48 85 91
 Fax +39-02-48 81 844