

TITAN OTC™

OVERHEAD TUBE SYSTEM

A flexible, reliable platform for all your radiographic requirements, the **TITAN OTC** offers the utmost in technologist efficiency and patient comfort .

- Flexibility for All Clinical Applications
- Reliability with Durability
- Removeable Detector
- Time Saving
- Cost Effective



Whether ambulatory or non-ambulatory, emergency, orthopaedic, pediatric or any other type of exam, the **TITAN OTC** allows you the flexibility to get exactly what you need.

The TITAN Family of Digital Radiographic Imaging Systems



DEL MEDICAL
SYSTEMS GROUP



VILLA
SISTEMI
MEDICALI

TITAN OTC™

TITAN OTC SPECIFICATIONS

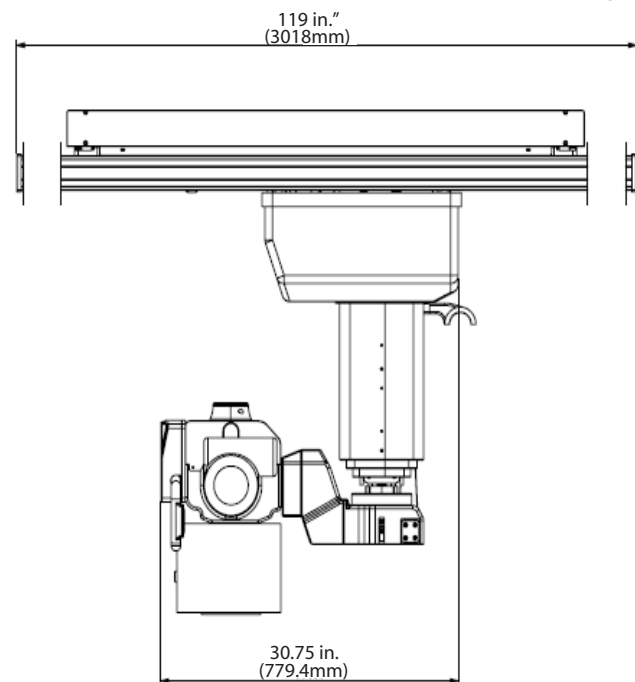
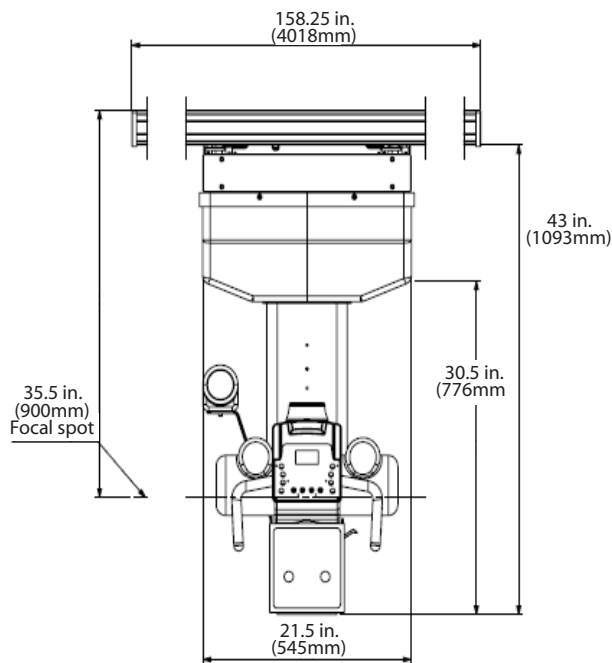
Movement for:	Manual for X, Y Axis; Motorized for Z Axis
Travel:	Longitudinal Range: 130 in. (3300mm) Transverse Range: 88.5 in. (2250mm) Vertical Range: 59 in. (1500mm)
Bridge:	3000 x 4000mm (10 x 13 ft.)
Tube Rotation Range:	Horizontal: -90°, +180° Catch Position at: -90°, 0, +90°
Power Requirement:	100~240V, 50/60Hz, 700VA
Includes Digital Display with dual "All Release" and "Single-Direction" release controls	
Includes Z-Axis servo link motor drive	

DelWorks SYSTEM WORKSTATION



GEMINI FLAT PANEL TECHNOLOGY

Featuring "HDDR", the **Best DQE/MTF**
Combination in the Industry!



Del Medical is an ISO13485 & ISO9001 Certified Facility.
Complies with CDRH performance standards in effect at time of shipment. Specifications are
subject to change without notice. UL Classified.



DEL MEDICAL
SYSTEMS GROUP
A DEL GLOBAL TECHNOLOGIES COMPANY
www.delmedical.com

U.S.A.
Del Medical Systems Group
11550 West King Street
Franklin Park, IL 60131
Toll Free +1-800-800-6006
Tel: 847-288-7000
Fax: 847-288-7011



EUROPE
Villa Sistemi Medicali
Via delle Azalee 3
20090 Buccinasco-MI-Italy
Tel: +39-02-48 85 91
Fax: +39-02-48 81 844